

# SANISHOWER®

SANISHOWER® Useful where a shower or washbasin is to be sited in a place where gravity drainage will be difficult or impossible to run.

For example, in a basement or on an internal wall of a property. Sanishower can be installed next to or underneath a shower tray with access for maintenance.

## TECHNICAL CHARACTERISTICS

Discharge	22 - 32 mm
Motor	250 Watts / 2.2 A
Voltage	220-240 V / 50 Hz
Working Water Temp	Normal temp 35°C
Product Weight	3.5 kg's
Overall Measurements	296 x 145 x 165 mm
Inlet Pipe Work	40mm
IP Rating	IP44
Maximum flow rate	70 L/min
Max discharge height	4 m



## SANISHOWER®



**A: Discharge**

**B: Inlets**

**C: Vent**

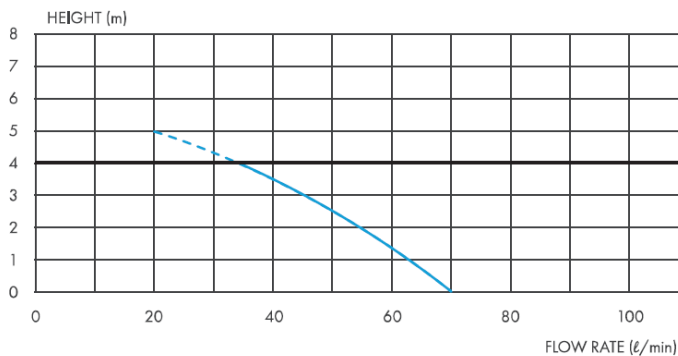
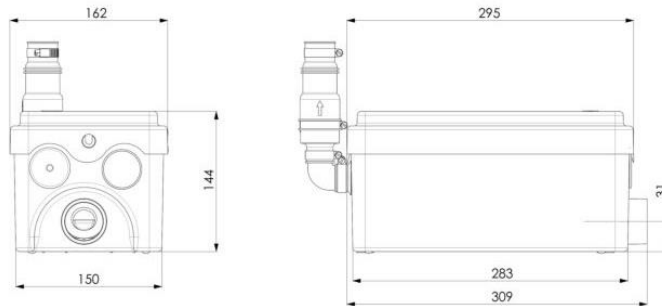
## WHY CHOOSE THIS PRODUCT

Quiet technology

Suitable for shower and hand basin

Ideal for adding a shower room anywhere

Discreet unit and small discharge line, easy to hide



## APPLICATION



SHOWER



HAND BASIN

Product Reference: D2STD

# Saniflo

**SFA** SOUTH AFRICA  
Shaking up water

Made in France to the highest standards, needs to be installed by a licensed plumber.