

SANIPRO® XR

SANIPRO® XR is used to add a complete bathroom. It takes waste from a toilet, shower, washbasin, and bidet.

A water pump, with integrated cutter system housed in a basket calibrating waste matter to a size of 15 mm or less, powered by a 400W motor reaching up to a maximum discharge head of 8 metres (Q=0 l/min)

TECHNICAL CHARACTERISTICS



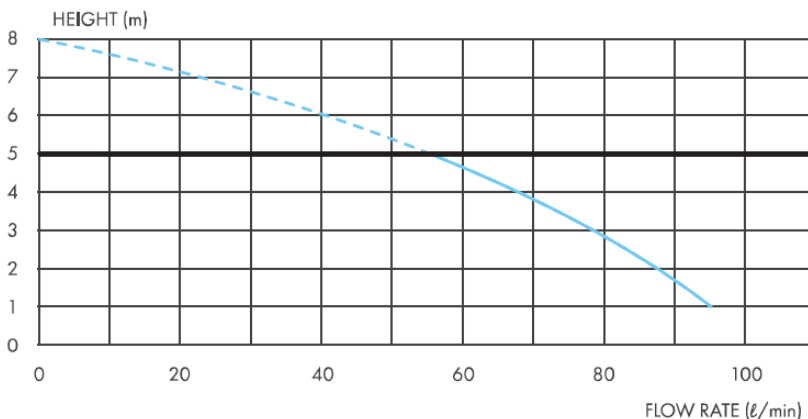
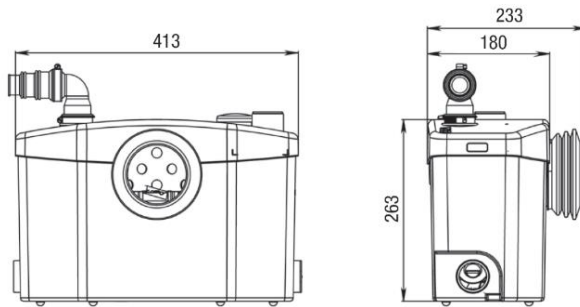
Discharge	22 - 40mm
Motor	400 Watts / 2.3A
Voltage	220-240 V / 50 Hz
Working Water Temp	35° C
Product Weight	7.2kg's
Overall Measurements	413 x 263 x 180 mm
Inlet Pipe Work	40mm
IP Rating	IP44
Maximum flow rate	96 L/min
Max discharge height	5 m

WHY CHOOSE THIS PRODUCT

Quiet technology

Suitable for toilet, wash basin and shower

Ideal for adding a complete bathroom or En-Suit anywhere



APPLICATION



TOILET

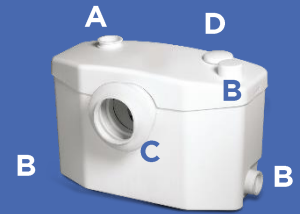


HAND BASIN



SHOWER

SANIPRO® XR



A: Discharge

B: Inlets

C: Toilet connection

D: Carbon Vent

Product Reference: SRZA

ACCESSORIES



Saniflo

SFA SOUTH AFRICA
Shaking up water

Made in France to the highest standards, needs to be installed by a licensed plumber.