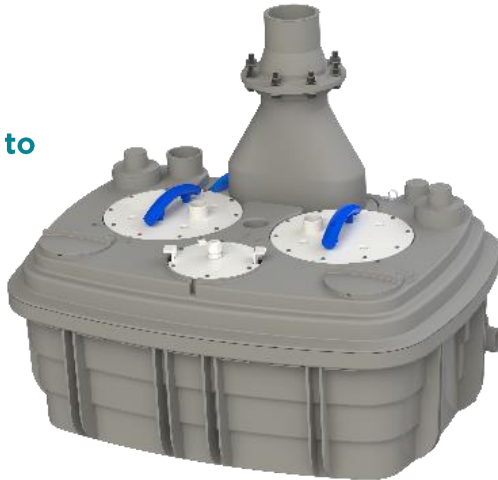


SANICUBIC® 2 XL

SANICUBIC® 2 XL is an above the floor lifting station designed to collect a large volume of wastewater and to lift it to the remote drains.

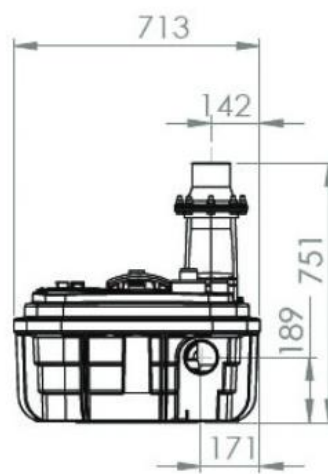
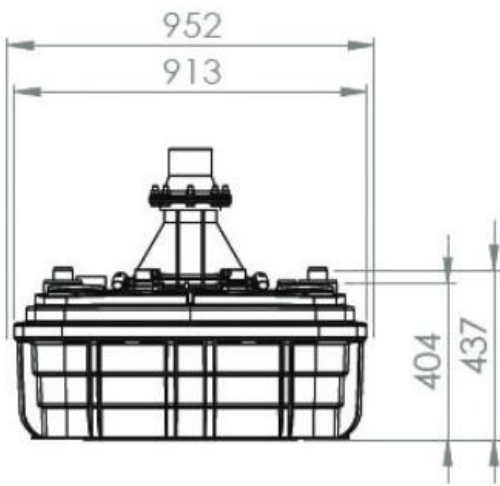
A lifting station with integrated Vortex impeller system, powered by two 2 000W motors each reaching up to a maximum discharge head of 13 metres (Q=0 l/min)

Direct access to the pressure chamber and motor



TECHNICAL CHARACTERISTICS

Discharge	80-110 mm
Motor	2 x 2000 Watts / 8A each
Voltage	220-240 V / 50 Hz
Working Water Temperature	35° C Max 70°C (intermittent)
Tank Volume	120 L
Product Weight	30kg's
Overall Measurements	688 x 440 x 515 mm
Inlet Pipe Work	40-50 / 110 mm
IP Rating	IP68
Cable length for Control Panel	4m
Cable length for Wired Alarm Panel	5m
Maximum flow rate	600 L/min (2 x motors)
Max discharge height	10 m (80mm) - 6m (100mm)



APPLICATION



TOILET



HAND BASIN



SHOWER



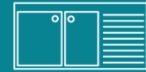
BATH



WASHING MACHINE

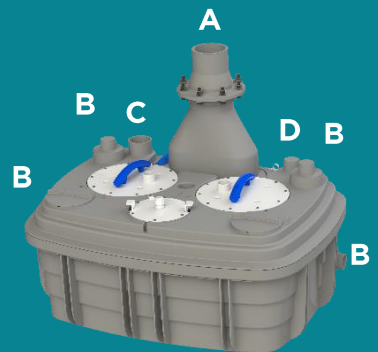


DISHWASHER



KITCHEN SINK

SANICUBIC® 2 XL



A: 80-110 mm Discharge

B: 40-110 mm Inlets

C: 75mm / Open Vent

D: 40/50 mm inlet

Product Reference: CUBIC2XL

Saniflo

SFA SOUTH AFRICA

Shaking up water

Made in France to the highest standards, needs to be installed by a licensed plumber.

EQUIPPED WITH

External mounted control box



Remote hard-wired alarm



Vortex impeller

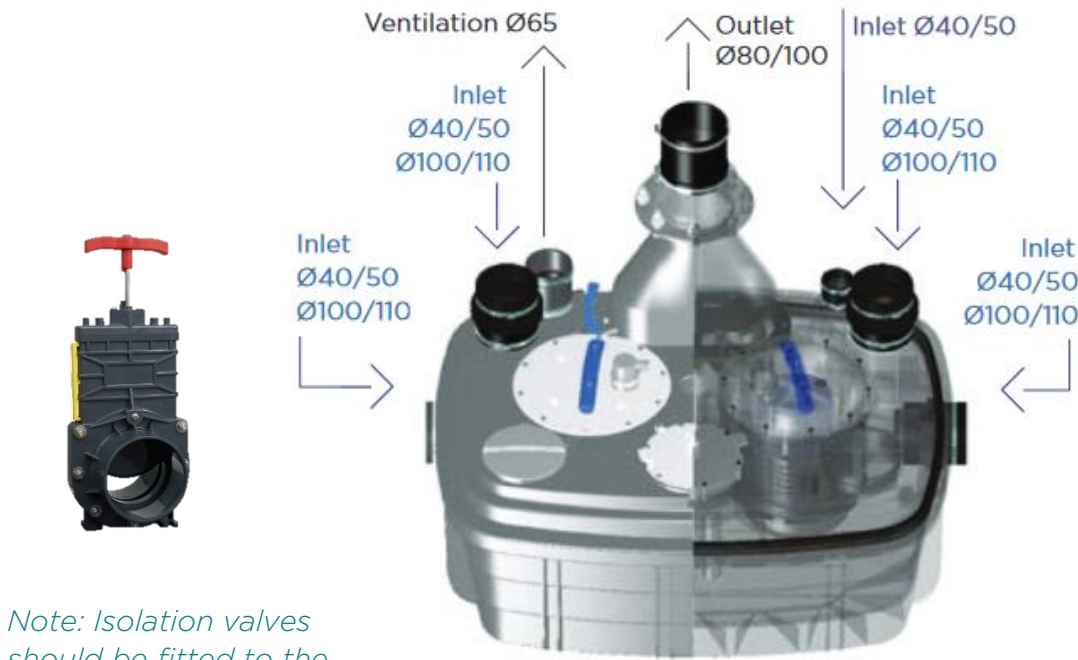


ACCESSORIES (sold separately)

Carbon filter - when you can't take the vent outdoors



Shut-off valve used on the inlets for ease of maintenance



Note: Isolation valves should be fitted to the inlet pipework and discharge pipework to isolate the unit for servicing.

WHY CHOOSE THIS PRODUCT

Tough, reliable macerating lifting station

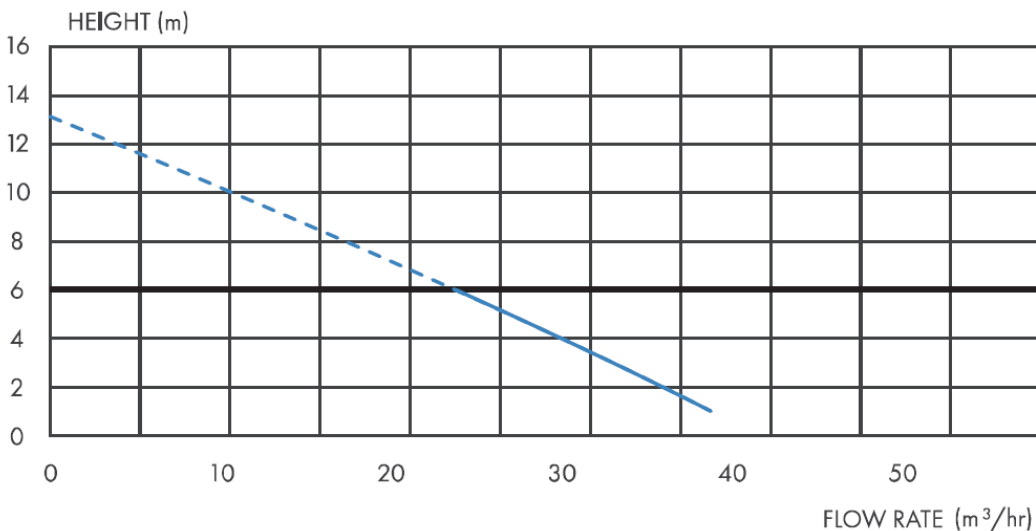
New design with easily removable motor for servicing and maintenance

External hard-wired audio-visual alarm

Centre heights of inlets 145 mm

Base of pump needs to be minimum 275 mm below lowest fixture

Allow 200 mm clearance around pump for maintenance purpose



Saniflo

SFA SOUTH AFRICA
Shaking up water

Made in France to the highest standards, needs to be installed by a licensed plumber.