

SANIFOS® 110

An automatic lifting station that can be used for pumping residential to commercial wastewater when the sewer is at too high a level for natural gravity drainage.

Designed for drainage of single homes incorporating bathrooms, kitchen and laundry room.

Contains one high performance macerating system, the single grinder pump with float activation method.



TECHNICAL CHARACTERISTICS

Discharge	50 mm
Motor	1500 Watts / 6A
Voltage	220-240 V / 50 Hz
Working Water Temperature	35° C Max 70°C (intermittent)
Tank Volume	110 L
Product Weight	24kg's
Overall Measurements	587 x 674 x 535 mm
Inlet Pipe Work	40-50 / 110 mm
IP Rating	IP68
Motor Cable Length	10m
Maximum flow rate	10.5 m ³ /hr
Max discharge height	14 m (Q=0 L/min)

**Stainless Steel
Grinder**



Float switch

APPLICATION



TOILET



HAND BASIN



SHOWER



BATH



WASHING
MACHINE



DISHWASHER



KITCHEN
SINK

SANIFLOS® 110



A: 50 mm Discharge

B: 40-110 mm Inlets

C: 75mm Open Vent

D: 40/50 mm inlet

Product Reference: FOS110

Saniflo

SFA SOUTH AFRICA

Shaking up water

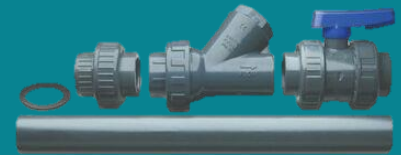
Made in France to the highest standards, needs to be installed by a licensed plumber.

EQUIPPED WITH

Stainless Steel blade suitable for heavy usage

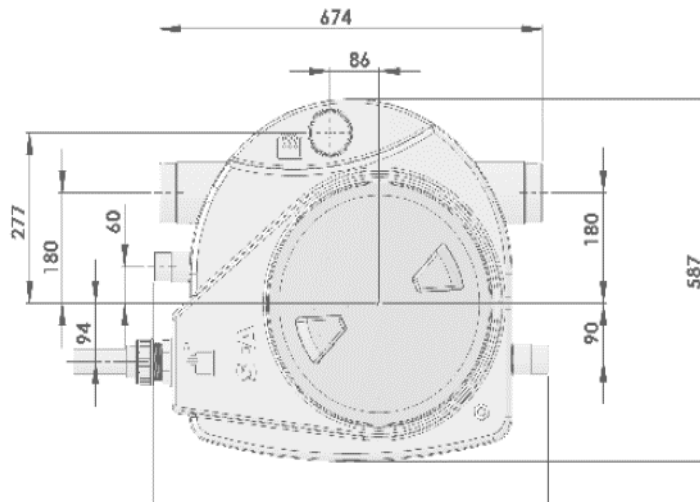
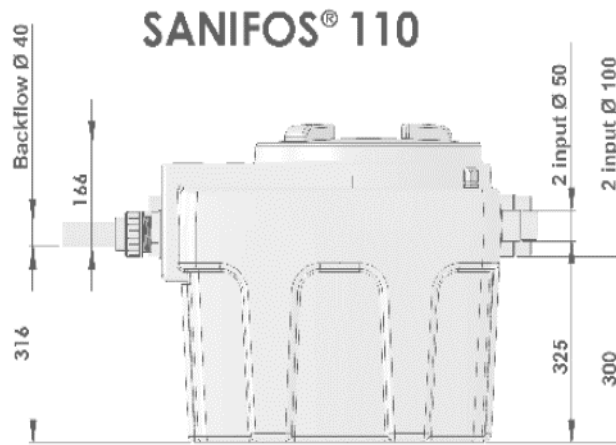


ACCESSORIES (sold separately)



Ball non return valve and shut off valve

Shut-off valve used on the inlets for ease of maintenance



WHY CHOOSE THIS PRODUCT

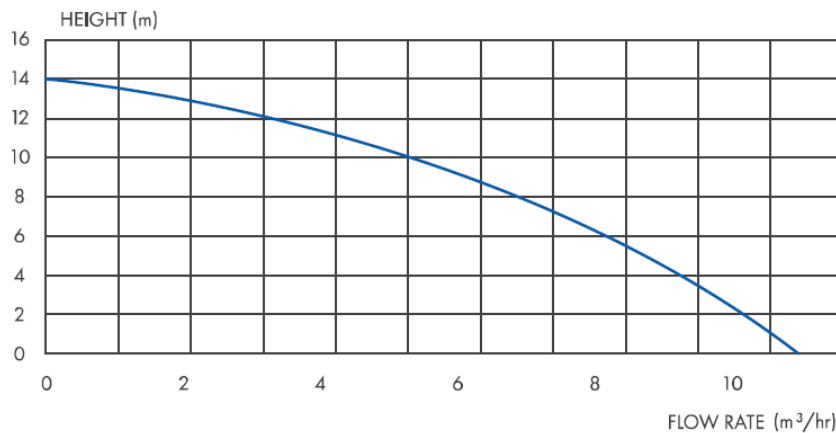
Tough, reliable macerating lifting station

Perfect for outdoor installation in a manhole

110 L tank

Autonomous operation

Max operating temperature 70°C (intermittent)



Note: Isolation valves should be fitted to the inlet pipework and discharge pipework to isolate the unit for servicing.

Saniflo

SFA SOUTH AFRICA
Shaking up water

Made in France to the highest standards, needs to be installed by a licensed plumber.