

SANIFOS® 280

An automatic lifting station that can be used for pumping residential to commercial wastewater when the sewer is at too high a level for natural gravity drainage.

Designed for drainage of single dwellings incorporating bathrooms, kitchen and laundry room.

Contains one high performance pumping system, the single grinder pump, with float activation method.



TECHNICAL CHARACTERISTICS

Discharge	50 mm
Motor	1500 Watts / 6A
Voltage	220-240 V / 50 Hz
Working Water Temperature	35° C Max 70°C (intermittent)
Tank Volume	280 L
Product Weight	38kg's
Overall Measurements	1023 x 760 mm
Inlet Pipe Work	40-50 / 110 mm
IP Rating	IP68
Motor Cable Length	10m
Maximum flow rate	26 m ³ /hr
Max discharge height	14 m (Q=0 L/min)

SANIPUMP®

Inside

Vortex Impeller



Float switch

APPLICATION



TOILET



HAND BASIN



SHOWER



BATH



WASHING MACHINE

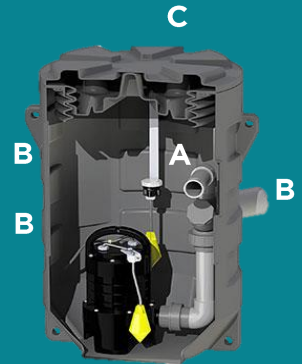


DISHWASHER



KITCHEN SINK

SANIFOS® 280



A: 50 mm Discharge

B: 40-110 mm Inlets

C: 75mm Open Vent

Product Reference: FOS280

Saniflo

SFA SOUTH AFRICA

Shaking up water

Made in France to the highest standards, needs to be installed by a licensed plumber.

EQUIPPED WITH

Vortex
Impeller



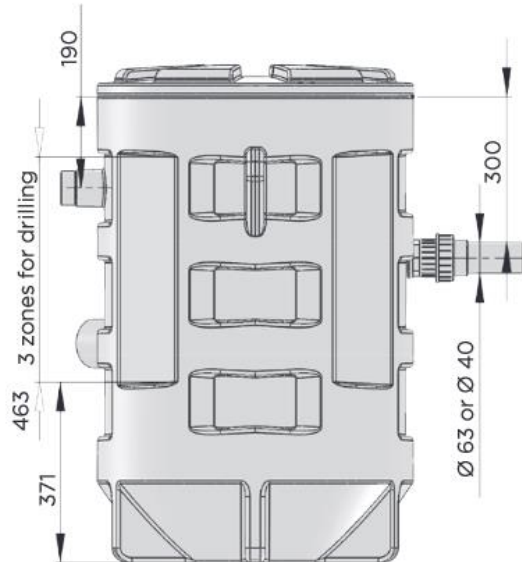
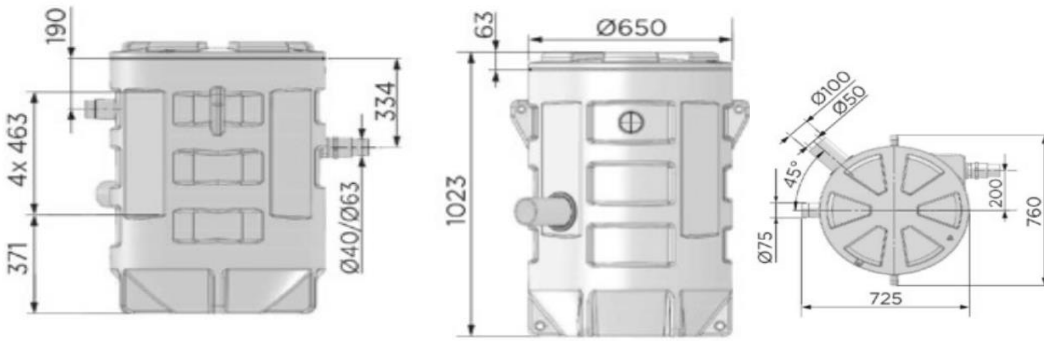
Ball non return vae
and shut off valve



Comes with HF Alarm

ACCESSORIES (sold separately)

Shut-off
valve used
on the inlets
for ease of
maintenance



Note: Isolation valves should be fitted to the inlet pipework and discharge pipework to isolate the unit for servicing.

WHY CHOOSE THIS PRODUCT

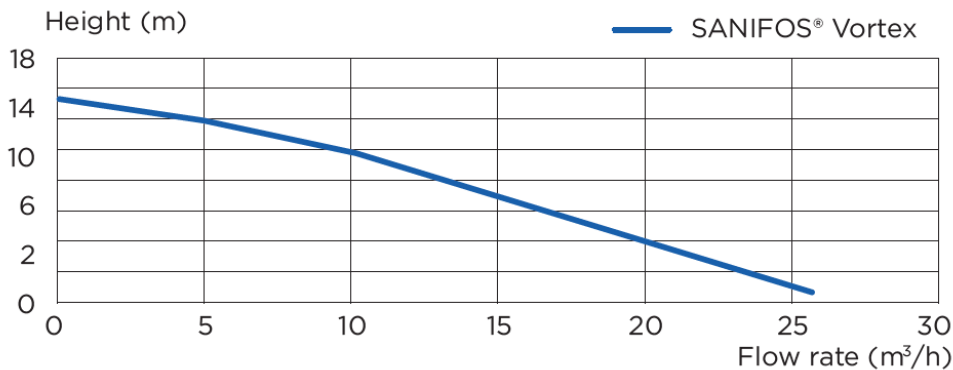
Tough, reliable macerating lifting station

Perfect for outdoor installation below ground

280 L tank

Autonomous operation

Max operating temperature 70°C (intermittent)



Saniflo

SFA SOUTH AFRICA
Shaking up water

Made in France to the highest standards, needs to be installed by a licensed plumber.