

SANIVITE®

SANIVITE® is a powerful grey water pump, which is intended for domestic applications. It can operate at 60°C for short periods (5 min).

It has proved extremely efficient in domestic / commercial kitchens and laundry rooms.

A lift pump powered by a 400W motor reaching up to a maximum discharge head of 8 metres (Q=0 l/min)

TECHNICAL CHARACTERISTICS

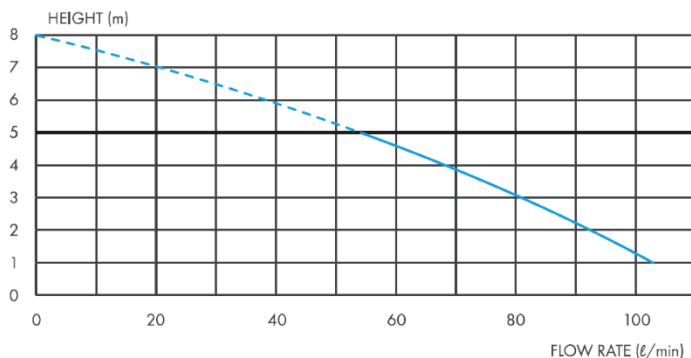
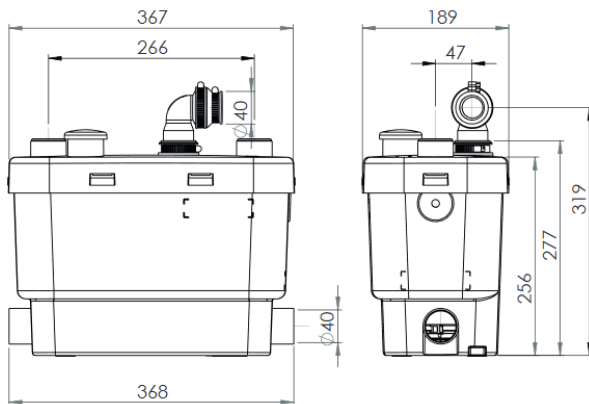


Discharge	32 - 40mm
Motor	400 Watts / 2.2A
Voltage	220-240 V / 50 Hz
Working Water Temp	Normal temp 35°C (Max 60°C Intermittent)
Product Weight	6.4 kg's
Overall Measurements	367 x 277 x 189 mm
Inlet Pipe Work	40mm
IP Rating	IP44
Maximum flow rate	100 L/min
Max discharge height	5 m

WHY CHOOSE THIS PRODUCT

Quiet technology

Suitable for full domestic kitchen. Sink, dishwasher, washing machine and grey water from the bathroom
Ideal for adding a complete kitchen or laundry anywhere



APPLICATION



SINK



WASHING MACHINE



DISHWASHER



SHOWER



HAND BASIN

SANIVITE®



A: Discharge

B: Inlets

C: Vent

Product Reference: SVZA

ACCESSORIES



Sanialarm

Saniflo

SFA SOUTH AFRICA
Shaking up water

Made in France to the highest standards, needs to be installed by a licensed plumber.