

# SANICOM<sup>®</sup> 2

SANICOM<sup>®</sup> 2 is a dual motor grey water pump that can be used to pump away wastewater from bathrooms (except toilets), kitchens and utility rooms.

SANICOM<sup>®</sup> 2 has been specially designed for domestic or commercial use. Under normal conditions, one of the motors is activated. The second motor takes over if the first is faulty.

The lifting station resists to high temperatures up to 90°C for 5 minutes maximum (intermittent operation)

## COMMERCIAL APPLICATIONS



SINK



WASHING MACHINE



DISHWASHER

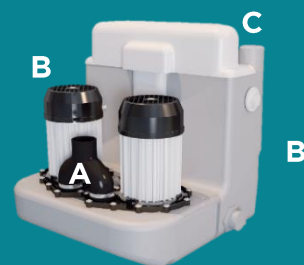


SHOWER



HAND BASIN

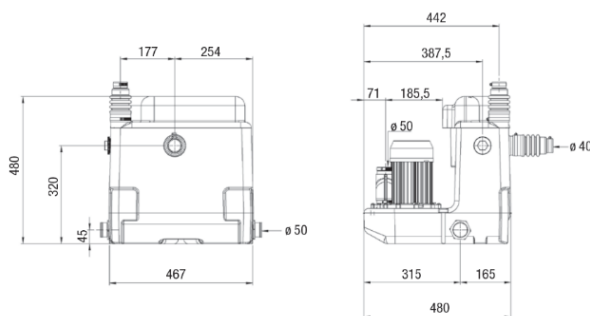
## SANICOM<sup>®</sup> 2



**A: 50mm Discharge**

**B: Inlets**

**C: 50mm Open Vent**



### TECHNICAL CHARACTERISTICS

Discharge	50 mm
Motor	2 x 1500 Watts / 2 x 6A
Voltage	220-240 V / 50 Hz
Working Water Temp	Normal temp 35°C (Max 90°C Intermittent)
Product Weight	23.6 kg's
Overall Measurements	419 x 331.7 x 232 mm
Inlet Pipe Work	40-80 mm
IP Rating	IP44
Maximum flow rate	350 L/min (2 x motors)
Max discharge height	11 m

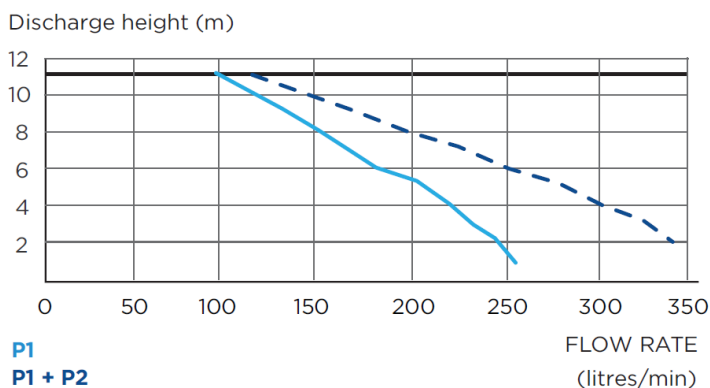
### WHY CHOOSE THIS PRODUCT

#### 34.5 L Tank

Suitable for commercial kitchen Sink, dishwasher, washing machine.

Will handle up to 90°C for short periods (5 minutes)

Ideal for Laundry, Laboratory, or high use commercial space



Product Reference: COM2

### EQUIPPED WITH

Control Box



Wired Alarm



# Saniflo

**SFA** SOUTH AFRICA  
Shaking up water

Made in France to the highest standards, needs to be installed by a licensed plumber.