

SANIPUMP® SLD 700 SA

Lifting height of 7m

Automatic float release

Particle size of 50 mm

High flow rate of 48 m³/h



TECHNICAL CHARACTERISTICS

Discharge	63 mm
Motor	1100 Watts / 9.2A
Voltage	220-240 V / 50 Hz
Working Water Temperature	Max 70°C (intermittent)
Product Weight	38 kg's
Overall Measurements	254 x 354 x 508 mm
IP Rating	IP68
Motor Cable Length	10m
Q Max (m ³ /h)	48 (m ³ /h)
Max Discharge Height	14m

WHY CHOOSE THIS PRODUCT

High performance with flow rate of 48 m³/h

Submersible pump for grey or rainwater

Can Handle water temperature to an average of 70° C over short periods

Maximum immersion depth 20m

Pump up to 50mm particle size

APPLICATION



Submersible pump

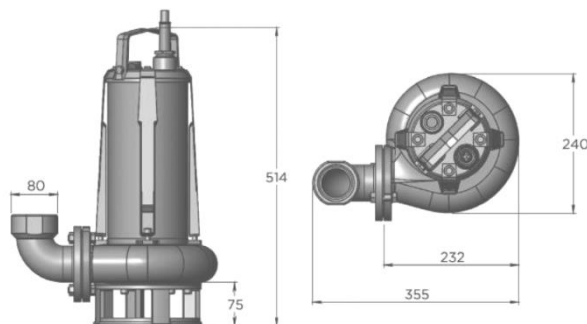
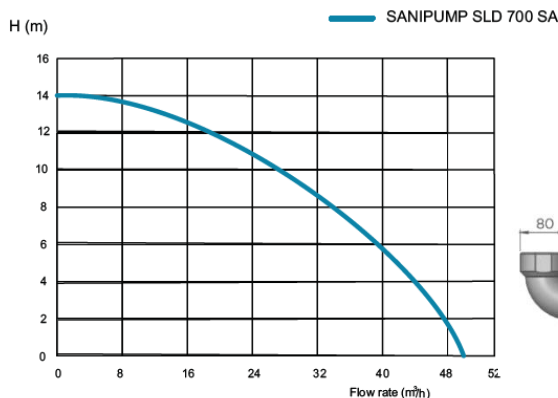
For all types of wastewater and rain water

Domestic, industrial and agricultural

SANIPUMP® SLD 700 SA



Product Reference: SLD700SA



Saniflo

SFA SOUTH AFRICA

Shaking up water

Made in France to the highest standards, needs to be installed by a licensed plumber.