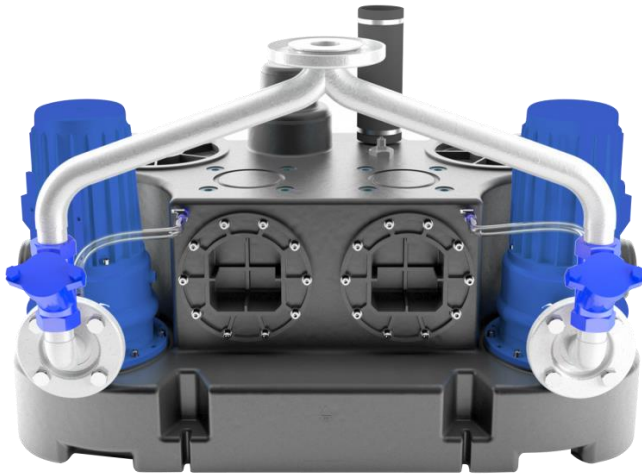


SANICUBIC[®] 2 GR

The SANICUBIC 2 GR is a lifting station ideal for larger domestic houses, apartment blocks, and commercial buildings such as train stations, cinemas, restaurants etc.

It has multiple inlets to ensure it is possible to lift all wastewater even in the most demanding circumstances.

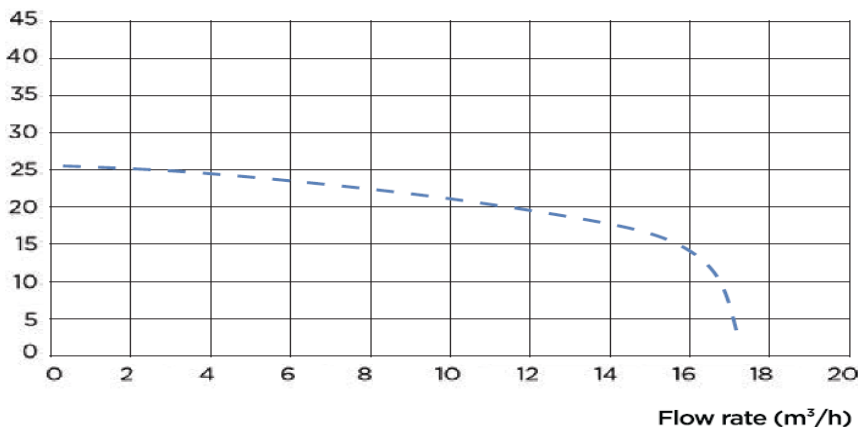
A lifting station with integrated cutter system, powered by a three-phase 2 100W motors reaching up to a maximum discharge head of 25 metres (Q=0 l/min)



TECHNICAL CHARACTERISTICS

Discharge	63 mm
Motor	2 x 2100 Watts /2 x 3.7A
Voltage	400 V / 50-60 Hz
Working Water Temperature	35° C Max 55°C (intermittent)
Tank Volume	150 L
Product Weight	137 kg's
Overall Measurements	1 198 x 586 x 766 mm
Inlet Pipe Work	50 / 110 mm
IP Rating	IP68
Maximum flow rate	17 m ³ /h
Max discharge head	25 m

H (m)



APPLICATION



TOILET



HAND BASIN



SHOWER



BATH



WASHING MACHINE

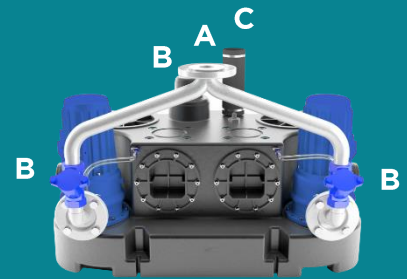


DISHWASHER



KITCHEN SINK

SANICUBIC[®] 2 GR



A: 63 mm Discharge

B: 50-110 mm Inlets

C: 75mm / Open Vent

Product Reference: SANICUBIC2GRSE71.2T

Saniflo

SFA SOUTH AFRICA
Shaking up water

Made in France to the highest standards, needs to be installed by a licensed plumber.

EQUIPPED WITH

External mounted control box with clear LED screen



Stainless Steel blade suitable for heavy usage



ACCESSORIES (sold separately)

Carbon filter - when you can't take the vent outdoors



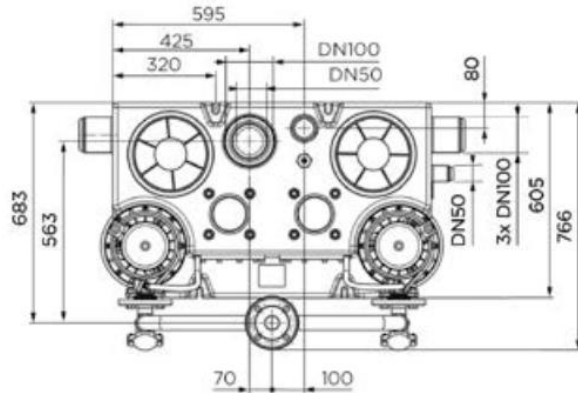
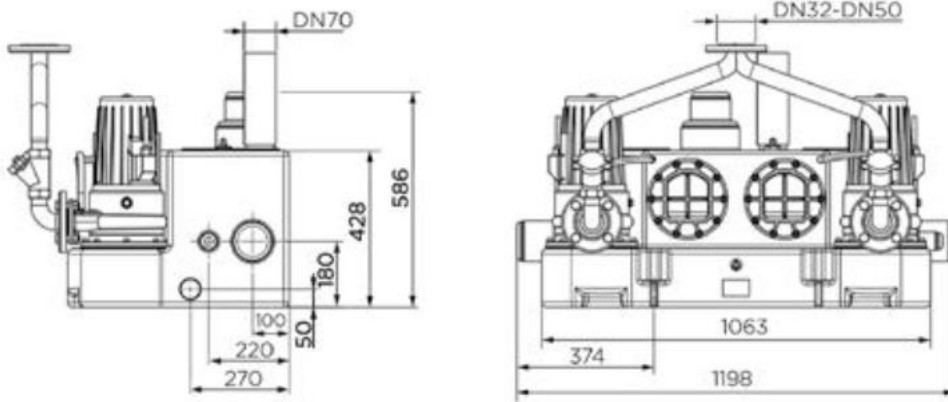
Shut-off valve used on the inlets for ease of maintenance



Saniflo

SFA SOUTH AFRICA
Shaking up water

Made in France to the highest standards, needs to be installed by a licensed plumber.



Note: Isolation valves should be fitted to the inlet pipework and discharge pipework to isolate the unit for servicing.

WHY CHOOSE THIS PRODUCT

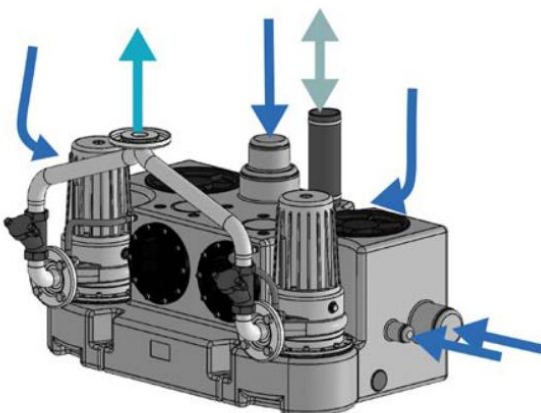
Tough, reliable grinding lifting station

Intelligent level controller

Clear LED screen

Allow 200 mm clearance around pump for maintenance purpose

Features integrated non-return valves



- Inlet diameter DN : 100, 150
- Discharge diameter DN : 50
- External ventilation diameter : 75 mm



Pro X K3 grinder