

SANIFOS® 610 SLD

A single motor lifting station that can be used for pumping rainwater in applications both residential and commercial when the municipal drain supply is at too high a level for natural gravity drainage.

Designed for drainage of rainwater

Contains one high performance pumping system that will operate alternately for a failsafe system.



TECHNICAL CHARACTERISTICS

Discharge	63 mm
Motor	1 x 1100 Watt
Voltage	220-240 V / 50 Hz
Working Water Temperature	35° C Max 70°C (intermittent)
Tank Volume	612 L
Overall Measurements	1140 x 1000 mm
Inlet Pipe Work	40-110 mm
IP Rating	IP68
Maximum flow rate	35 m ³ /hr
Max discharge height	14 m (Q=0 L/min)

APPLICATION



TOILET



HAND BASIN



SHOWER



BATH



WASHING MACHINE

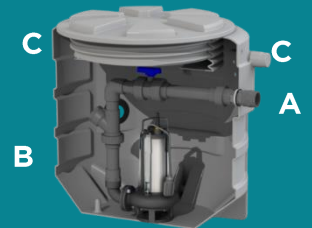


DISHWASHER



KITCHEN SINK

SANIFOS® 610 SLD



A: 50 mm Discharge

B: 40-110 mm Inlets

C: 75mm Open Vent

Product Reference: FOS610SLD700SA

SANIPUMP®

Inside

Float switch



Twin channel impeller

Saniflo

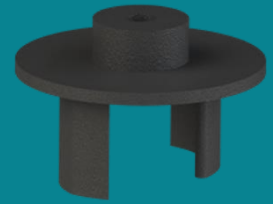
SFA SOUTH AFRICA

Shaking up water

Made in France to the highest standards, needs to be installed by a licensed plumber.

EQUIPPED WITH

High performance twin channel impeller



Ball non return valve and shut off valve

ACCESSORIES (sold separately)

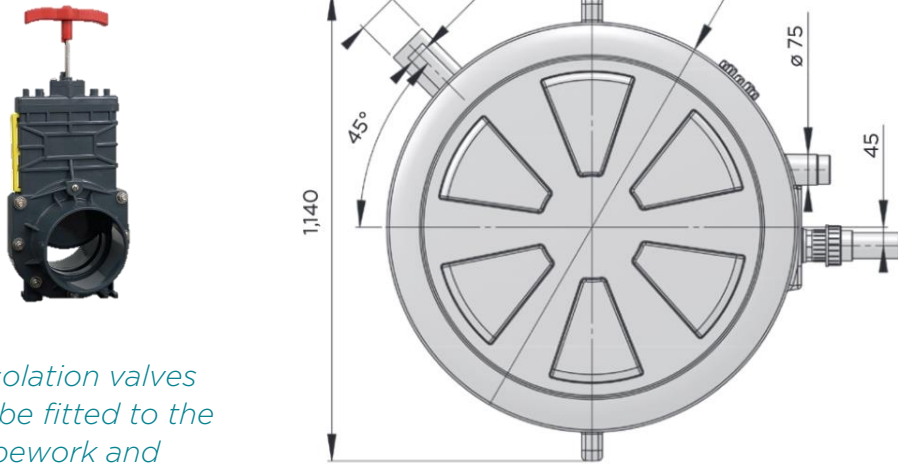
Shut-off valve used on the inlets for ease of maintenance



Saniflo

SFA SOUTH AFRICA
Shaking up water

Made in France to the highest standards, needs to be installed by a licensed plumber.



Note: Isolation valves should be fitted to the inlet pipework and discharge pipework to isolate the unit for servicing.

WHY CHOOSE THIS PRODUCT

Tough, reliable rain-water lifting station

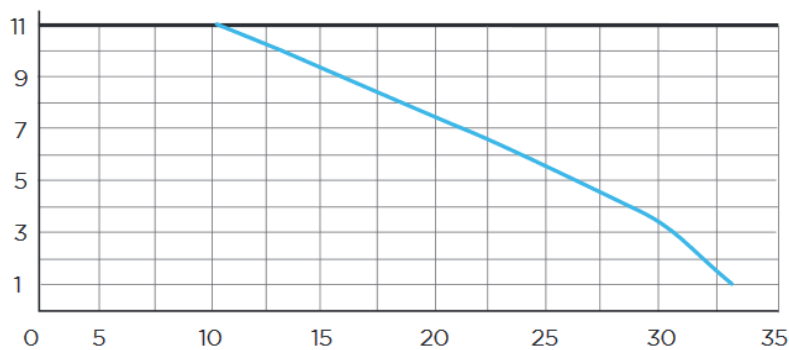
Perfect for outdoor installation below ground

612 L tank

Autonomous operation

Max operating temperature 70°C (intermittent)

Discharge height (m)



Sanipump SLD

OUTPUT (m³/h)